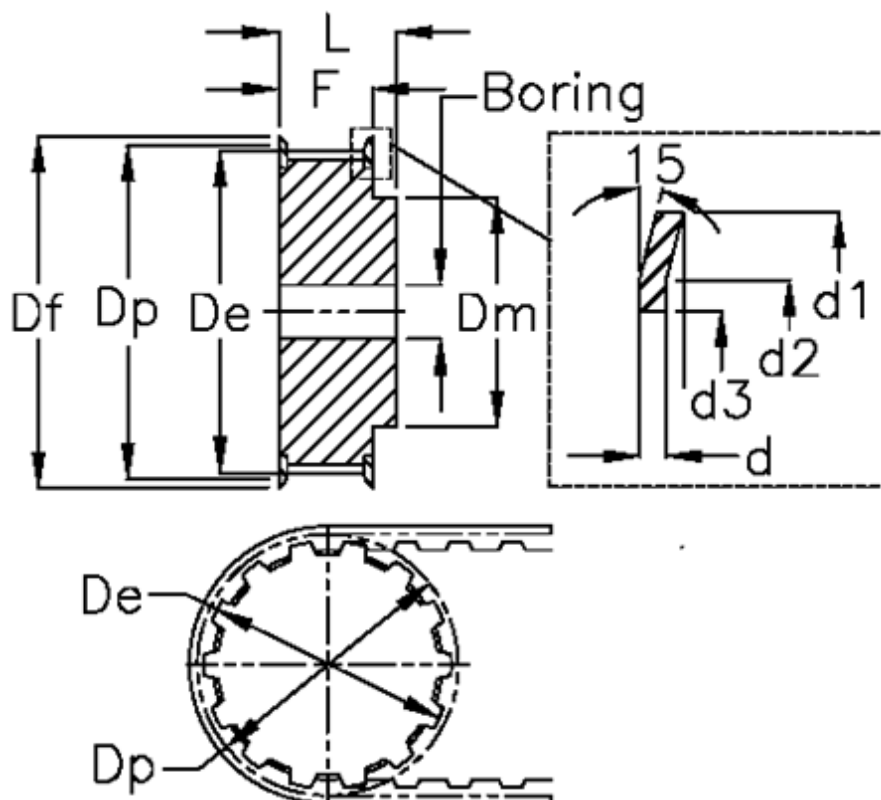


Article number: 60415466036

Description: Timing Belt Pulley 66 AT10 36/2

## Measures



Belt width = - 50 mm	Dp	= 114.75
d = 1	F	= 56
d1 = 120	Flange type	= F38
d2 = 112.5	L	= 66
d3 = 99.5	Pre-drilled	= 16
De = 112.75	Tooth number	= 36
Df = 120	Type	= AT10
Dm = 70	Weight	= 1.637